

As the exclusive partner of chinaware to the World Association of Chefs Societies (WACS), Figgjo AS will provide you with innovative products to be used in all chefs' competitions managed by WACS up until 2012.

Figgjo AS is presenting 7 different products. Among the chosen products, there are 4 plates and 3 accessory products. All products will provide the user with new opportunities in how to present the food.

Competition plates:

- A) The Figgjo Front Dining Plate is characterized by the large size and wide rim. The rim slightly angles downwards and the centre of the plate is therefore the highest surface and emphasizes the presentation of the food.
- B) The Figgjo Grad Plate is semi deep and characterized by its wide and flat rim and has a classic and elegant expression.
- C) Figgjo Duell oval has two equal surfaces, separated by a small height difference. This form will challenge the chef to new ways in presenting the food. When using only one of the surface areas, it gives a more traditional expression of the food presentation. For a more unusual presentation, one may use both surfaces.
- D) Figgjo Plattform will also challenge the way we traditionally serve food. It has a unique architecture with an elevated surface that will emphasize the food.

Additional products:

- 1) Figgjo Hval may be viewed as one of Figgjo's signature products. It is Figgjo's own "chinaware spoon" that will complete the culinary presentation. It is a great accessory product that can give many different expressions and great chinaware on chinaware serving.
- 2) Figgjo bowl has a classic expression and is a very applicable accessory bowl. It works well in combination with any of Figgjo's plates.
- 3) Figgjo Gastronorm is timeless and functional with its simple and straight lines; It is a great accessory product that also works well in combination with any of Figgjo's products.

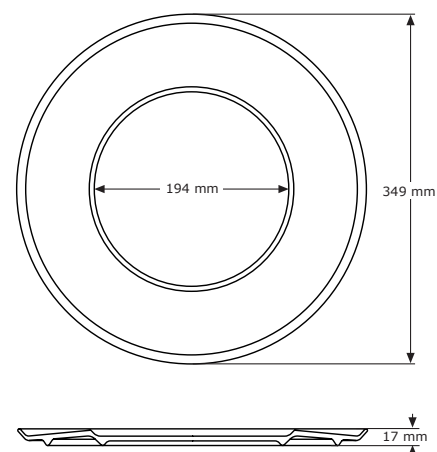


Exclusive partner of chinaware to

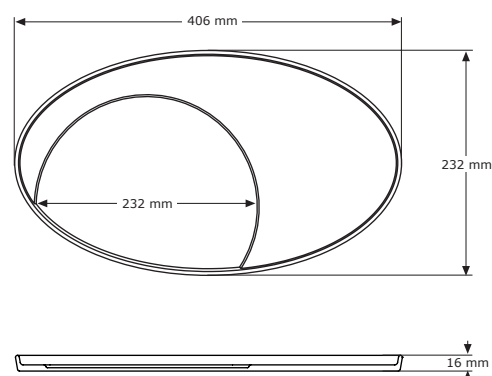


Competition plates

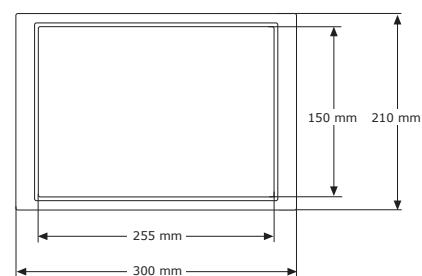
Product A:
Figgjo Front Dining
Designed by
C. G. Kristiansen,
J. O. Hetland
and O. Joa
Art.No. 8000 HH



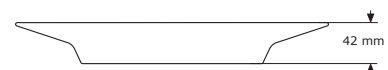
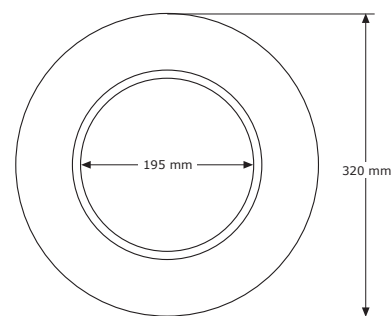
Product B:
Figgjo Duell Oval
Designed by
C. G. Kristiansen
Art.No. 9032 HH



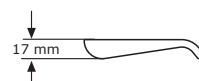
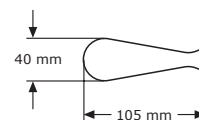
Product C:
Figgjo Plattform
Designed by
Olav Joa
Art.No. 9024 HH



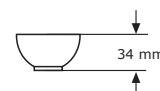
Product D:
Figgjo Grad
Designed by
Olav Joa
Art.No. 2711 HH
55 cl



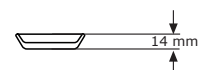
Product 1:
Figgjo Hval
Designed by
Olav Joa
Art.No. 9007 HH
2 cl



Product 2:
Figgjo Bowls and Trays
Designed by
Olav Joa
Art.No. 2628 HH
4 cl



Product 3:
Figgjo Gastronorm
Designed by
Olav Joa
Art.No. 2152 HH



How to order



Each contestant may choose one set each (containing 1 sample of each product mentioned above) for 55 EUR + shipping costs.

When ordering
Please provide the following information via email:

Name:
Deliver address:
E-mail:
Telephone:

Contact persons at Figgjo:

Irene Knutsen
E-mail: Irene.knutsen@figgjo.no
Phone: +47 51 68 35 24

Cato Johannesen
E-mail: cato.johannesen@figgjo.no
Mobile number: +47 40 40 85 26

For more information regarding Figgjo please contact your local partner of Figgjo.

Croatia

Radin R Grand Gourmet

www.radin-r.hr
Poslovna Zona Labinci
52464 Kastelir (Porec) | Croatia
E-mail: radin-r@pu.t-com.hr
Phone: +385 52 434 774
Fax: +385 52 427 792

Czech Republic

Sving MB

www.sving.cz
Tiskarska 12
10800 Praha 10 | Czech Republic
E-mail: t.mayer@sving.cz
Phone: +420 (272) 189 490-1
Fax: +420 (272) 189 330

Denmark

Bent Brandt as

www.bentbrandt.dk
Langdyssen 7, Lisbjerg
8200 Århus N | Denmark
E-mail: isenkram@bentbrandt.dk
Phone: +45 89 30 00 00
Fax: +45 89 30 00 01

Estonia

Arkogren AS

www.arkogren.ee
Poikmae 4, Saku Vald
Harjuma, 76401 Estonia
E-mail: tiinaliina.martsoo@arkogren.ee
Phone: +372 6348 985
Fax: +372 6348 982

Finland

Kesko

www.kespro.com
Sahkotie 1
01510 Vantaa Finland
E-mail: seiya.arhipoff@kesko.fi
Phone: +358 1053 22000
Fax: +358 1053 2410

Germany

Autenrieb GmbH

www.autenrieb.de
Pappelweb 2-4
40489 Düsseldorf
E-mail: rainer.autenrieb@autenrieb.de
Phone: +49 (0)203-7-38-38-10
Fax: +49 (0)203-7-38-38-38

Pentagast

www.pentagast.de
Philipp-Reis-Straße 9
36093 Künzell | Germany
E-mail: info@pentagast.de
Phone: +49 (0) 6 61 9 34 83-0
Fax: +49 (0) 6 61 9 34 83-25

D. u. E. Günther GmbH

www.due-guenther.de
Paul-Gerhardt-Allee 14
81245 München | Germany
E-mail: info@due-guenther.de
Phone: +49 (0) 89/896055-0
Fax: +49 (0) 89/896055-22

Edgar Fuchs OHG Cook Factory

www.cookfactory.de
Berlinerstraße 312
63067 Offenbach | Germany
E-mail: info@cookfactory.de
Phone: +49 (0) 69/829733-0
Fax: +49 (0) 69/818193

Edgar Fuchs GmbH

www.edgar-fuchs.com
Magnolienweg 28
63741 Aschaffenburg | Germany
E-mail: info@edgar-fuchs.com
Phone: +49 (0) 6021/8402-0
Fax: +49 (0) 6021/8402-89

Hinsche & Glashaus

www.glashaus-gastrowelt.de
Schnackenburgallee 21
22525 Hamburg | Germany
E-mail: info@glashaus-gastrowelt.de
Phone: +49 040/85302-0
Fax: +49 040/85302-111

Schafferer & Co

www.schafferer.de
Tullastraße 80
79108 Freiburg | Germany
E-mail: info@schafferer.de
Phone: +49 (0) 761/5158-0
Fax: +49 (0) 761/5158-392

Tischer-Gastro

www.tischer.de
Tullastraße 15
69126 Heidelberg | Germany
E-mail: info@tischer.de
Phone: +49 (0) 6221/31120
Fax: +49 (0) 6221/301129

Draga

www.draga-traunstein.de
Kreutraße 4
83278 Traunstein | Germany
E-mail: verkauf@draga.de
Phone: +49 0861/98785-0
Fax: +47 0861/14000

Iceland

A Karlsson HF
www.akarlsson.is
Brautarholti 28
105 Reykjavik | Iceland
E-mail: helgif@akarlsson.is
Phone: +354 (820) 6924
Fax: +354 56 00 901

Ireland

G. Duke & Co. Ltd.
www.gduke.com
Unit 5 Greenmount Ind.
E. Harolds Cross
Dublin 12 | Ireland
E-mail: info@gduke.com
Phone: +353 1 454 7877
Fax: +353 1 454 7879

Italy

Caraiba srl
www.caraiba.it
Via Toscana, 11
40069 Zola Predosa | Bologna | Italy
E-mail: info@caraiba.it
Phone: +39 051 61 66 983
Fax: +39 051 61 67 394

Japan

Kimura Glass
www.kimuraglass.co.jp
3-10-7 Yushima | Bunkyo-ku
Tokyo 113-0034 | Japan
E-mail: i-desk@kimuraglass.co.jp
Phone: +81 (3) 3834 1781
Fax: +81 (3) 3834 1787

Latvia

Arkolat
www.arkolat.lv
72B Mukusalas street
LV1004 Riga | Latvia
E-mail: vija.paisuma@arkolat.lv
Phone: +371 76 05 430
Fax: +371 (7627) 888

Middle East

Chalhoub Inc. FZE
P.O. Box 261074 | Jebel Ali Free Zone
Dubai | U.A.E.
E-mail: prakash.menon@mailmac.net
Phone: +971 (4) 804 5560
Fax: +971 (4) 804 5599

Norway

Culina Hovedkontor | Enor AS
www.culina.no
Billingstadsletta 14b
1096 Billingstad | Norway
E-mail: enor@culina.no
Phone: +47 66 98 32 50
Fax: +47 66 98 32 51

Russia

Radius Hotel and Restaurant

www.radiuscom.ru
Novoostapovskaya 5/14
Moscow 115088 | Russia
E-mail: sales@radiuscom.ru
Phone: +7 (095) 231 70 30
Fax: +7 (095) 783 84 95

Asia

Verbeelen N.V.

International Hotel Supplies

www.verbeelen.com
40 Jalan Pemimpin # 03-09
Tat Ann Building
577185 Singapore
Singapore
E-mail: info@verbeelen.com
Phone: +65 (63) 54 27 65
Fax: +65 (63) 53 05 95

Spain

Casa Delfin

www.casadelfin.com
C/ Prat, 12
25300 Tarrega | Lleida | Spain
E-mail: casadelfin@casadelfin.com
Phone: +34 973 50 05 80
Fax: +34 973 31 01 37

Sweden

Servera

www.servera.se
Strandbergsgt. 61
112 89 Stockholm | Sweden
E-mail: region.hk@servera.se
Phone: +46 08-6728400
Fax: +46 08-672839

ICA Meny

Restaurangutrustning AB

www.menyforetagen.ica.se
Gamla Kronvägen 90
433 38 Partille (Göteborg) | Sweden
E-mail: ann-catrine.boldyn@ica.se
Phone: +46 031-33621 00
Fax: +46 031-440182

RIAB

www.martinolsson.se
Grosshandlarvägen 7
121 23 Johanneshov (Stockholm)
Sweden
E-mail: info@martinolsson.se
Phone: +46 08-7222525
Fax: +46 08-7228986

Smörgåsbord

www.smorgasbord.com
Fiskartorpsvägen 56
115 42 Stockholm | Sweden
E-mail: info@smorgasbord.com
Phone: +46 08-54512600
Fax: +46 08-54512609

Heselius

www.heselius.se
Riggargatan 15
801 04 Gävle | Sweden
E-mail: gunnar.rosen@heselius.se
Phone: +46 026-105075
Fax: +46 026-102510

Switzerland

Buchecker AG

www.buchecker.ch
Alpenquai 28-32
6002 Luzern | Switzerland
E-mail: Info@buchecker.ch
Phone: +41 41 36 04 24 4
Fax: +41 41 36 04 24 8

The Netherlands

Olivier Horeca B.V.

www.olivier.nl
Bingerweg 21
2031 AZ HAARLEM
E-mail: verkoop@olivier.nl
Phone: +31 23 5319703
Fax: +31 23 5324625

For the rest of the world, please contact Figgjo directly

www.figgjo.com
E-mail: figgjo@figgjo.no
Phone: +47 51 68 35 00
Fax: +47 51 68 35 01